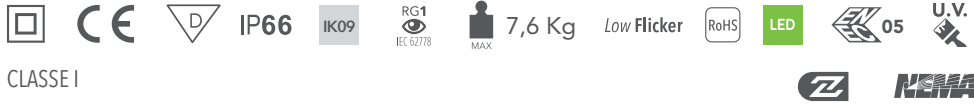


Street LED Lighting fitting

# BRIXIA L



**Power Supply**

External driver ON/OFF. Version available on request: Dimmer, DALI, DALI2, D4i, DMX  
 Cable H07 RNF 2x1.5 mm2 L.50cm.  
 SPD integrated 10kV-10kA  
 Input voltage 220 - 240VAC 50/60Hz.  
 Temperature -40° +45°

**Controlli**

ON-OFF: fixed non-dimmable  
 MV: Automatic dimming (virtual midnight) with default profile  
 CLO: constant luminous flux  
 DALI: DALI 2 digital dimming interface  
 DI: 1-10V analogue dimming interface  
 ZHAGA: possibility to apply ZHAGA connector  
 NEMA: possibility to apply NEMA connector

**Applications**

Street lighting – Parkings – Industrial areas

**Size (mm)**

634 x 246 x 225

**Colour**

Dark Grey RAL 7015

**Decay of the luminous flux**

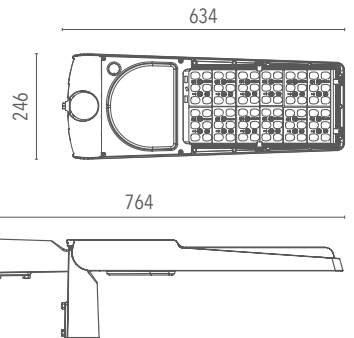
≥100.000 hr L90B10 ≥110.000 hr TM21-L70

**MATERIALS**

**Body:** Die cast aluminium alloy UNI EN 46100. Protection against the corrosion with epoxy primer + polyester painting resistant to salty mist  
**Pole connection bracket:** Galvanized steel and goniometer with anti-rotation lock  
**Optic:** Optical PC HT lenses  
**Cable gland:** Plastic M 25x1,5 IP68  
**Gasket:** Expanded silicone  
**Lenses:** Optical PC  
**Screen:** Tempered extra clear 5 mm glass, resistant to thermal shocks and impacts  
**External screws:** Stainless steel AISI 304

**TENDER SPECIFICATIONS**

Street LED lighting fitting with the body in die cast in aluminium alloy UNI EN 46100. First layer in epoxy primer + painting with polyester powder, resistant to the saline mist, stabilized to UV rays, UV Class I. Screws in stainless steel AISI 304. Extra clear tempered glass, sodium-calcium type 5 mm, resistant to thermal shocks and impacts, guaranteed transparency 93%. Gaskets in expanded silicone. Integrated On/Off driver with the virtual midnight feature by default (programmable in the phase of the order, if necessary), voltage 220-240 VAC 50/60 Hz (also available Dimmer, DALI, DALI2, D4i, DMX).  
 Optical group of 72 LEDs, size 5050. Colour rendering index CRI70 (available on request CRI 80, CRI90). Standard colour temperature: natural white 4000K (available on request: 2700K, 3000K, 5000K, 5700K). MacAdam ellipses (standard deviation colour matching): 3. Protected against mechanical impacts equal to 5 Joule IK08, ROHS approval, IP66, conformity CE, lighting fitting in CLII (available upon request CLI). Energetic classes; IPEA\*: A+++, Ministerial Decree 27th of September 2017 paragraph 4.2.3.8, energetic performances; EPREL\*: D, UE 2017/1369, 2019/2015, 2019/2020, 2021/340 and 2021/341.  
 European mark of high quality ENEC.  
 Reference regulations: EN60598-1, EN 60598-2-3, EN 62471, EN55015, EN61547, EN 61000-3.2, EN61000-3-3. Lighting efficiency of the LED size 5050: 190 l/W Ta=25°C.  
 Group of photobiological risk: RG0 (lighting fittings non presenting photobiological risks according to the Norm EN62471. Require from the manufacturer the distance from the observation point, if necessary.)  
 Working temperature -40°+50°. Lifetime ≥100.000 hr L90B10 ≥110.000 hr TM21-L70. Warranty: 5 years.



**Exposed surface**

Front surface 0.14 m2  
 Lateral surface 0.046 m2  
 Pole Ø 42- 60 mm

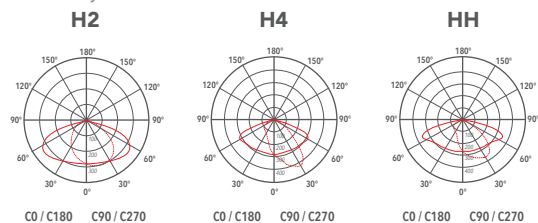
Lanzini indica sui cataloghi il flusso luminoso uscente dell'apparecchio con una tolleranza ±10% rispetto al valore indicato. I W totali indicano la potenza totale assorbita dal sistema LED + alimentatore che non superi il 10% del valore indicato.

Optical group

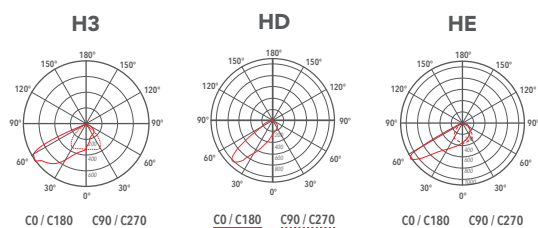
CIE photometric classification: cut-off  
 LDT photometric classification: cut-off  
 PSBA 72 LED size 5050  
 CRI ≥ 70, available on request: CRI80, CRI90  
 4000K, available on request: 2700K, 3000K, 5000K, 5700K.  
 MacAdam ellipses (Standard Deviation Color Matching): 3  
 LED lighting efficiency: 190 l/W

Photometric curves

Strade extraurbane secondarie e urbane - centri storici  
 Secondary and urban suburban roads - historic centers



Strade extraurbane secondarie e urbane - centri storici  
 Secondary and urban suburban roads - historic centers



Codice	Sorgente	Potenza	Lm (Output)	Lm (Tc=25°)	Temperatura	CRI	Ottiche	Colore	Controllo
LOBXL4AH2BL40110	LED	200 W	29911 lm	38000 lm	4000 K	≥70	H2	Dark Grey	-
LOBXL4AH2DI40110	LED	200 W	29911 lm	38000 lm	4000 K	≥70	H2	Dark Grey	DIMMER
LOBXL4AH2DA40110	LED	200 W	29911 lm	38000 lm	4000 K	≥70	H2	Dark Grey	DALI
LOBXL4AH2DX40110	LED	200 W	29911 lm	38000 lm	4000 K	≥70	H2	Dark Grey	DMX
LOBXL4AH3BL40110	LED	200 W	31315 lm	38000 lm	4000 K	≥70	H3	Dark Grey	-
LOBXL4AH3DI40110	LED	200 W	31315 lm	38000 lm	4000 K	≥70	H3	Dark Grey	DIMMER
LOBXL4AH3DA40110	LED	200 W	31315 lm	38000 lm	4000 K	≥70	H3	Dark Grey	DALI
LOBXL4AH3DX40110	LED	200 W	31315 lm	38000 lm	4000 K	≥70	H3	Dark Grey	DMX
LOBXL4AH4BL40110	LED	200 W	29911 lm	38000 lm	4000 K	≥70	H4	Dark Grey	-
LOBXL4AH4DI40110	LED	200 W	29911 lm	38000 lm	4000 K	≥70	H4	Dark Grey	DIMMER
LOBXL4AH4DA40110	LED	200 W	29911 lm	38000 lm	4000 K	≥70	H4	Dark Grey	DALI
LOBXL4AH4DX40110	LED	200 W	29911 lm	38000 lm	4000 K	≥70	H4	Dark Grey	DMX
LOBXL4AHDBL40110	LED	200 W	31315 lm	38000 lm	4000 K	≥70	HD	Dark Grey	-
LOBXL4AHDDI40110	LED	200 W	31315 lm	38000 lm	4000 K	≥70	HD	Dark Grey	DIMMER
LOBXL4AHDDA40110	LED	200 W	31315 lm	38000 lm	4000 K	≥70	HD	Dark Grey	DALI
LOBXL4AHDDX40110	LED	200 W	31315 lm	38000 lm	4000 K	≥70	HD	Dark Grey	DMX
LOBXL4AHEBL40110	LED	200 W	31315 lm	38000 lm	4000 K	≥70	HE	Dark Grey	-
LOBXL4AHEDI40110	LED	200 W	31315 lm	38000 lm	4000 K	≥70	HE	Dark Grey	DIMMER
LOBXL4AHEDA40110	LED	200 W	31315 lm	38000 lm	4000 K	≥70	HE	Dark Grey	DALI

Lanzini indica sui cataloghi il flusso luminoso uscente dell'apparecchio con una tolleranza ±10% rispetto al valore indicato. I W totali indicano la potenza totale assorbita dal sistema LED + alimentatore che non superi il 10% del valore indicato.

<b>LOBXL4AHDDX40110</b>	LED	200 W	31315 lm	38000 lm	4000 K	≥70	H2	Grigio scuro	DMX
<b>LOBXL4AHHBL40110</b>	LED	200 W	29911 lm	38000 lm	4000 K	≥70	HH	Grigio scuro	-
<b>LOBXL4AHHDI40110</b>	LED	200 W	29911 lm	38000 lm	4000 K	≥70	HH	Grigio scuro	DIMMER
<b>LOBXL4AHHDA40110</b>	LED	200 W	29911 lm	38000 lm	4000 K	≥70	HH	Grigio scuro	DALI
<b>LOBXL4AHHDX40110</b>	LED	200 W	29911 lm	38000 lm	4000 K	≥70	HH	Grigio scuro	DMX

**Accessories**



Fast connector  
IP 2 poles  
LKITA00000000017



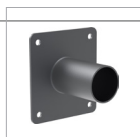
Fast connector  
IP 3 poles  
LKITA00000000003



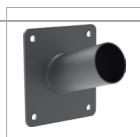
Fast connector  
IP 4 poles  
LKITA00000000018



Fast connector  
IP 5 poles  
LKITA00000000103



Wall fixing  
kit tilt 0° - Ø 60 mm  
LKITA00000040190



Wall fixing  
kit tilt 15° - Ø 60 mm  
LKITA00150040190

Lanzini indica sui cataloghi il flusso luminoso uscente dell'apparecchio con una tolleranza ±10% rispetto al valore indicato. I W totali indicano la potenza totale assorbita dal sistema LED + alimentatore che non superi il 10% del valore indicato.